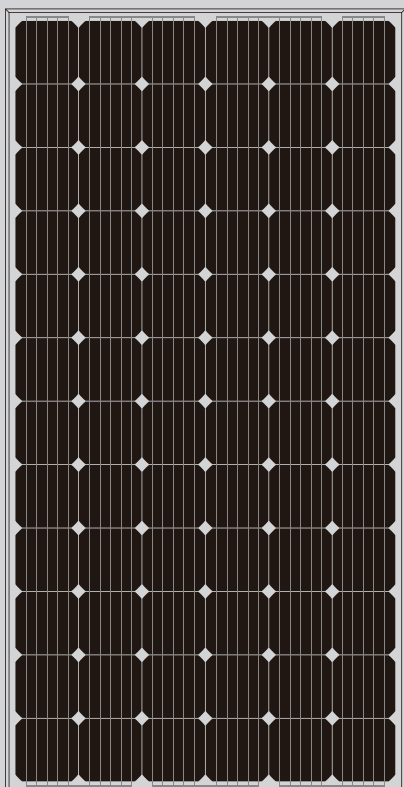
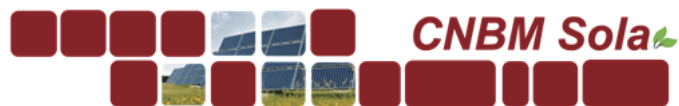


MONOCRYSTALLINE SILICON MODULE



6MA(-HV)-340 6MA(-HV)-345 6MA(-HV)-350 6MA(-HV)-355 6MA(-HV)-360 6MA(-HV)-370 MONOCRYSTALLINE SILICON MODULE

Products Characteristics



Widely using of the most popular and mature type of modules for on-grid system.



Leading manufacturing technology in PV industry, strictly controlling the quality of raw materials and the process of producing



100% EL inspection, ensures modules are defects free.



Cells binned by current to improve module performance



Anti reflective glass. Not only to increase the light absorption, but also to make the module has the function of self-cleaning in water environment, effectively reducing the power loss caused by dust.



Outstanding performance in low-light irradiance environments.



Excellent mechanical load resistance: Certified to withstand high wind loads(2400pa) and snow loads(5400pa).



High salt and ammonia resistance



Positive power tolerance: 0~+5w

10 years products warranty
25 year power output warranty

Address: Floor 17-18th, No.4 Building Zhuyu International Commercial. Center, No.9 Shouti South Road, Haidian District, Beijing 100048, China

Tel: +86-10-68796522

Fax: +86-10-68796522

E-mail: sales@cnbmsolar.com

Website: www.cnbmsolar.com

Warranty

- 10 years product warranty
- 10-years 90% of Min. rated output power, and 25-years 80% of Min. rated output power warranty

Comprehensive Certificates

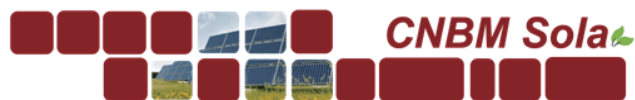
- ISO Certificate
- IEC61215、IEC61730 Certificate
- TUV-SUD Certificate
- CE Certificate

Specifications subject to technology and test conditions,

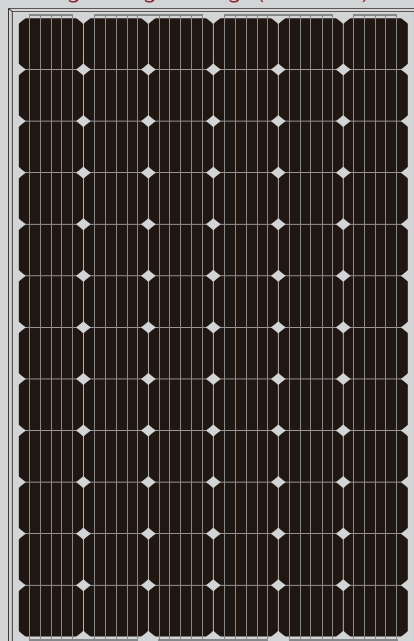
6MA(-HV)-340 6MA(-HV)-345

6MA(-HV)-350 6MA(-HV)-355

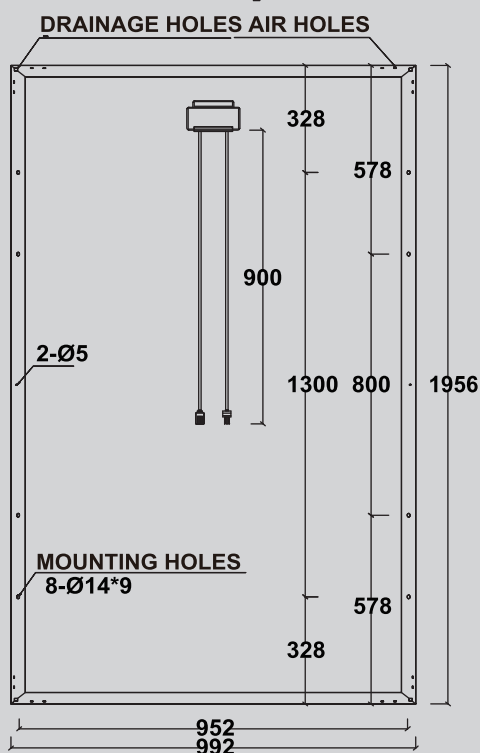
6MA(-HV)-360 6MA(-HV)-370



Engineering Drawings (Front Side)



Engineering Drawings (Back Side)



Address: Floor 17-18th, No.4 Building Zhuyu International Commercial. Center, No.9 Shouti South Road, Haidian District, Beijing 100048, China
 Tel: +86-10-68796522
 Fax: +86-10-68796522
 E-mail: sales@cnbmsolar.com
 Website: www.cnbmsolar.com

Raw materials and Mechanical Parameters

6MA(-HV)-340 6MA(-HV)-345 6MA(-HV)-350 6MA(-HV)-355 6MA(-HV)-360 6MA(-HV)-370

Type of Cells(mm)	mono156.75 × 156.75
NO. of Cells and Connections	6 × 12=72
Dimensions(mm)(L*W*H)	1956 × 992 × 40
Weight(kg)	23.2
Glass	3.2mm Tempered Glass
Encapsulation	EVA
Backsheet	Multilayer Composite
Aluminium-Frame	Silvery/Black Anodized aluminium alloy
Junction-Box	IP65/IP67
Cable	4mm ² ,900mm
Connector	MC4 and MC4 Compatible
Package Configuration	26pcs/pallet
40GP	624pcs
40HQ	672pcs

Performance Parameters

6MA(-HV)-340 6MA(-HV)-345 6MA(-HV)-350 6MA(-HV)-355 6MA(-HV)-360 6MA(-HV)-370

Maximum System Voltage	1500 V
Operating Temperature	-45~+80°C
Maximum Series Fuse	10A
Maximum Static Load,Front Side (e.x. Snow,Wind)	5400Pa
Maximum Static Load, Back Side(e.x. Wind)	2400Pa
Application Grade	Class A

Electrical Parameters (Standard Test Condition)

6MA(-HV)-340 6MA(-HV)-345 6MA(-HV)-350 6MA(-HV)-355 6MA(-HV)-360 6MA(-HV)-370

Rated Maximum Power(Mp)	340W	345W	350W	355W	360W	370W
Power Tolerance	0- +5W					
Module Efficiency	17.52%	17.78%	18.04%	18.30%	18.55%	19.1%
Open Circuit Voltage(Voc)	47.8	48.0V	48.1V	48.3V	48.6V	48.7V
Maximum Power Voltage(Vmp)	38.8V	38.9V	39.0V	39.2V	39.3V	39.4V
Short Circuit Current(Isc)	9.29A	9.40A	9.51A	9.60A	9.70A	9.91A
Maximum Power Current(Imp)	8.76A	8.87A	8.97A	9.06A	9.16A	9.40A
Temperature Coefficient of Isc	+0.06%					
Temperature Coefficient of Voc	-0.32%					
Temperature Coefficient of Pmp	-0.45%					
Standard Test Condition	Irradiance:1000W/M2,Cell Temperature:25°C,Spectrum AM:1.5					

The Electrical Parameters of the module are the average theory figure under the standard test condition, each one exists difference. Can not be treated as the basis of module delivery.